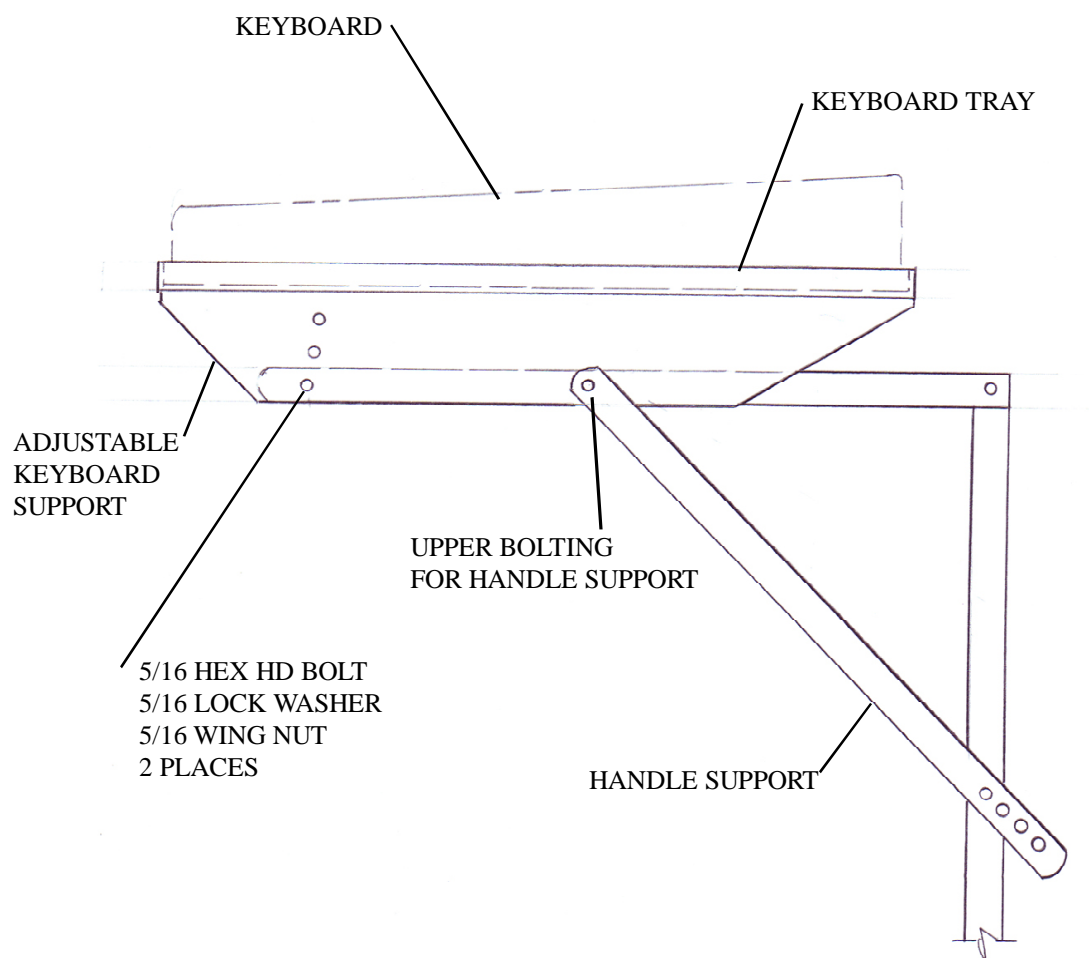


# INSTRUCTIONS

## KEYBOARD TRAY TO SPEAKER MOVER



Assemble complete Speaker Mover per instructions. Remove upper bolting for handle support. Install Keyboard Tray using longer fasteners supplied. Tighten bolting for handle support. Back off nut approx. one turn. This will allow keyboard to pivot when the wing nut and bolt are removed.