

GONG STAND ASSEMBLY INSTRUCTIONS

SEE DRAWINGS FOR POSITION
& LOCATION OF PARTS

1. Install the tie rods in the frames using the eight 3/8" fender washers and the four knobs. See drawing for locations. The knobs are self locking. It will be necessary to hold the tie rod or the knob while tightening. Tighten securely.

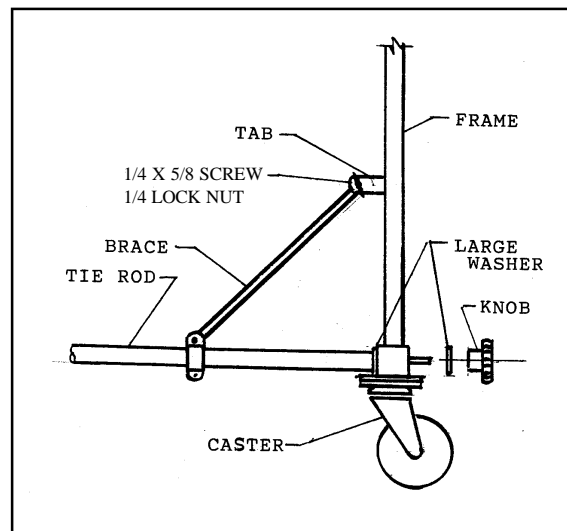
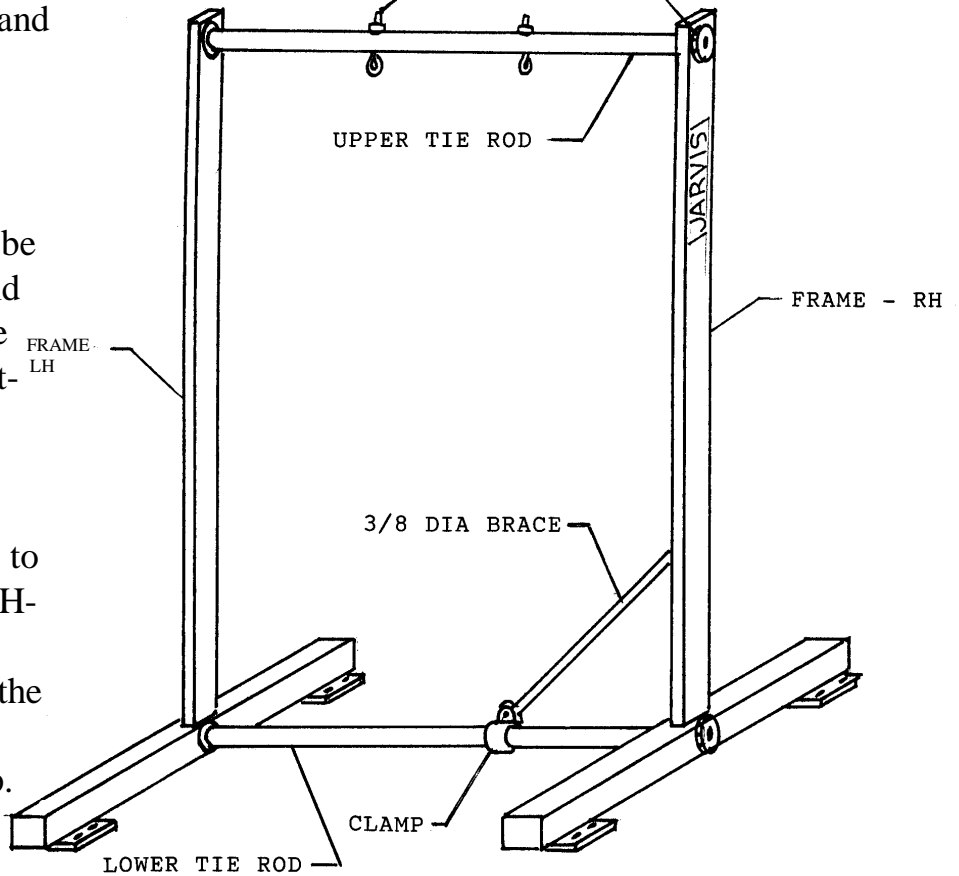
2. Install the brace to the tab on the RH-Frame. Do not tighten. Install the other end of the rod in the clamp. Tighten both screws securely.

3. Install the four wheels using the fasteners supplied. Install wheels with locks on players' side. Tighten securely.

4. Install Gong. (Suspension is not provided)

5. You are now ready to use your Gong.

3/8 FENDER WASHER (2 REQ'D)
3/8 KNOB
4 PLACES
1/4 EYE BOLT (2 REQ'D)
1/4 NUT (2 REQ'D)



IF FURTHER ASSISTANCE IS REQUIRED PLEASE FREE TO CALL 1-800-548-4239.