

UTILITY BAND WAGON ASSEMBLY INSTRUCTIONS

In order to minimize shipping damages to the wagon, some parts have been shipped loose. These parts will need to be installed prior to use.

TOOLS REQUIRED

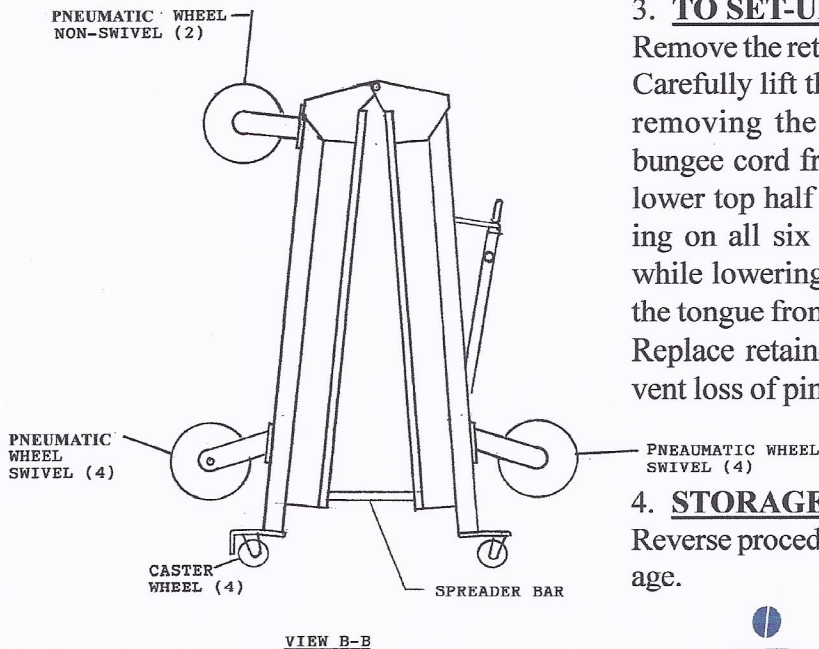
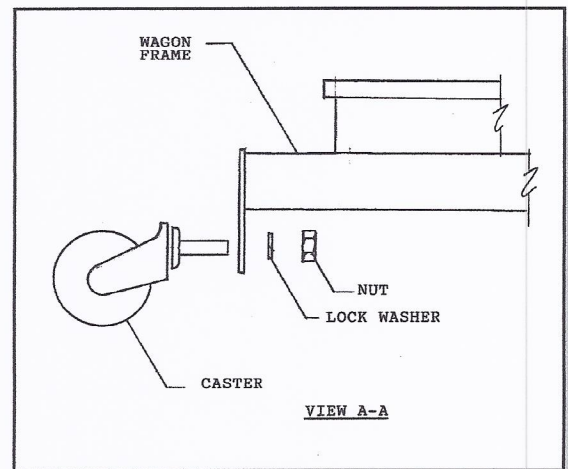
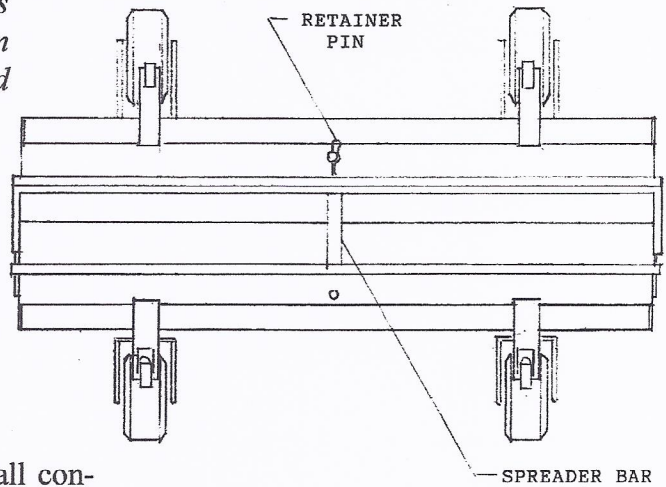
- 3/4" wrench (any type)
- 1/2" wrench (any type)

1. PNEUMATIC WHEEL INSTALLATION

Before removing the skid, remove all contents from inside the wagon. First, install the six (6) pneumatic wheels while wagon is setting on skids. See View B-B. (Install the four (4) swivel wheels on the ends of the wagon. Install the two rigid wheels on the center of the wagon.)

2. CASTER WHEEL INSTALLATION

Lay the wagon down so that it is resting on four wheels, remove the two shipping skids. Install the four (4) caster wheels using the lock nuts and washers supplied. See View A-A. Tighten nuts securely.



3. TO SET-UP WAGON FOR USE

Remove the retainer pin from the spreader bar. Carefully lift the top half of the wagon while removing the spreader bar. Remove the bungee cord from the tongue. Lift and then lower top half of wagon until wagon is resting on all six wheels. (Pull out on tongue while lowering top half of wagon to prevent the tongue from being trapped under wagon). Replace retainer pin in spreader bar to prevent loss of pin. Wagon is now ready for use.

4. STORAGE

Reverse procedure #2 to set-up wagon for storage.

JJ-JARVIS-
Marching Band Products
1-800-548-4239

IT IS RECOMMENDED THAT TWO (2) PEOPLE SET-UP & TAKE DOWN WAGON.