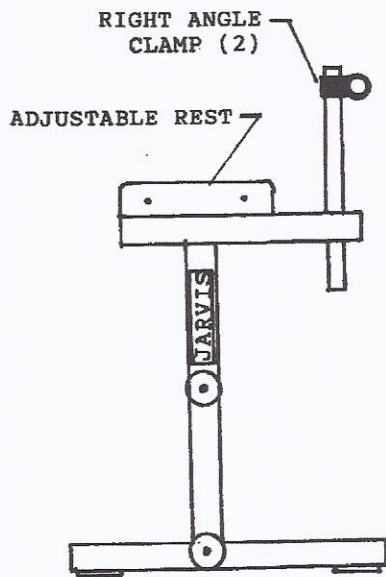
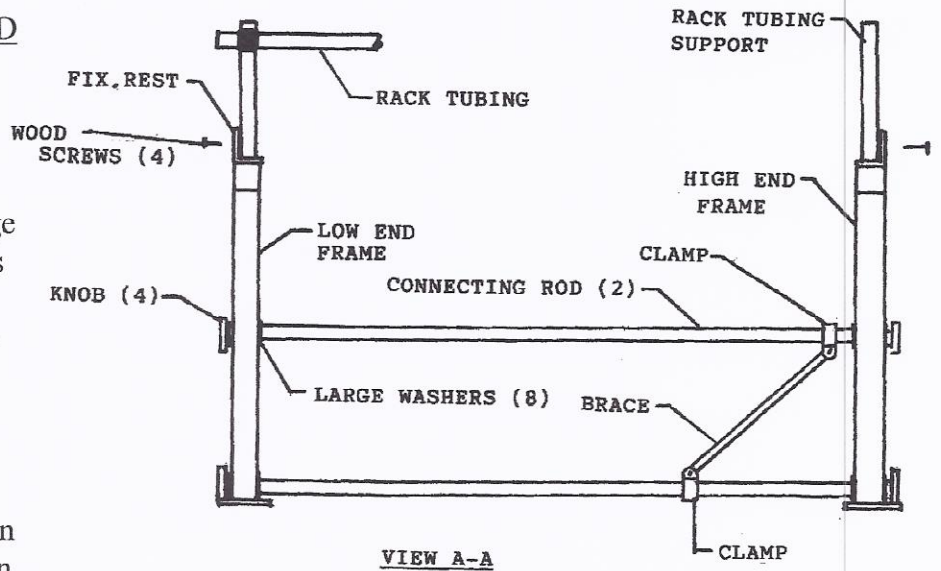


MALLET MOVER W/PERCUSSION RACK ASSEMBLY INSTRUCTIONS

1. FRAME & TIE ROD ASSEMBLY

Install the two tie rods into the two frames using the 4 knobs and the 8 large washers. The knobs are self-locking. It will be necessary to hold the tie rod or the opposite knob while tightening. Note the clamps on the tie rods. Position the tie rods as shown in VIEW A-A.



VIEW B-B

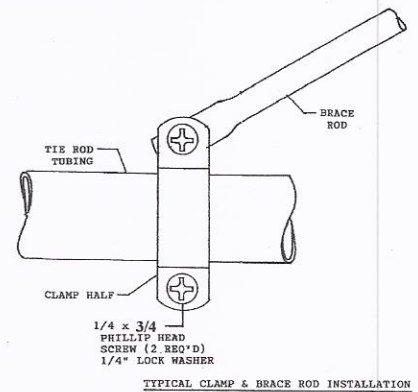
JARVIS
Marching Band Products
1-800-548-4239

2. CLAMP & BRACE INSTALLATION

Install the brace by removing the clamp screws. Reinstall clamp screws. See drawing.

3. CASTER WHEELS

Install the caster wheels using the fasteners provided. The casters with the locks should be installed on the player side of the frame. If you ordered your frame with a tongue, install the two rigid wheels on the end opposite the tongue.



4. INSTRUMENT INSTALLATION

Set your mallet instruments on the frame. Center the instrument on the rest from front to back. DO NOT remove the adjustable rest. Loosen the two nuts below the rest and slide the rest against the mallet instrument. Tighten the nuts and install wood screws by drilling a 5/32" diameter hole in both ends of the instrument.

5. TONGUE

If you ordered your frame with an optional tongue, install tongue using the two hitch pins supplied.

6. VIBE PEDAL

If you ordered your frame for vibes, install the bracket as shown in VIEW C-C.

