

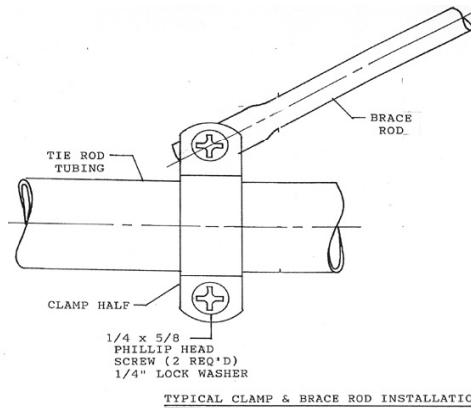
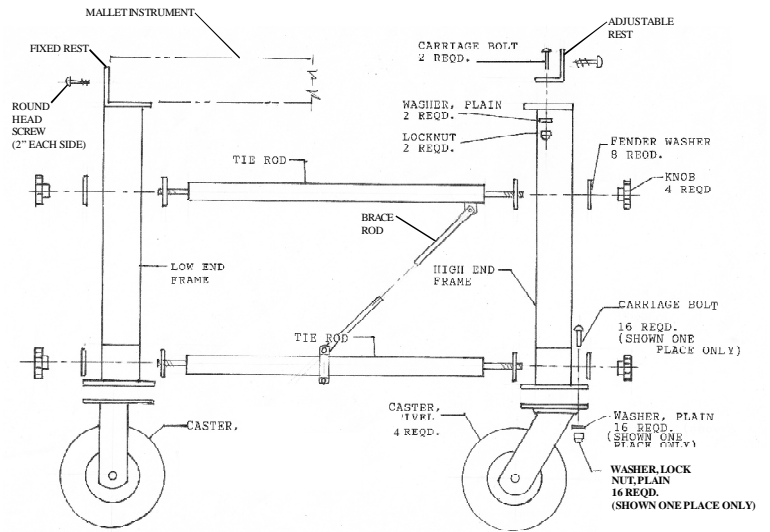
# MALLETT MOVIE INSTRUMENT ASSEMBLY INSTRUCTIONS

## TOOLS REQUIRED

- #2 Phillips screw driver
- Electric drill and 5/32" drill bit
- 1/2" wrench

### 1. TIE ROD INSTALLATION

Install the two tie rods in one of the frames using the washers and plastic knobs supplied; do not tighten. Repeat for the other frame. See drawing for frame orientation. Install tie rod with the brace tab at the top. The knobs are of the locking type. It will be necessary to hold the tie rods tightly while tightening the knobs.



### 2. CLAMP & BRACE INSTALLATION

Install the brace rod. See drawing.

### 3. CASTER ATTACHMENT

Install the four (4) casters. Install the locking wheels on players side.

### 4. ADJUSTABLE REST ATTACHMENT

Install the adjustable rest on the high end of your instrument. Position the rest on the center (width) of your instrument and mark for drilling. Use the two round head screws to attach the adjustable rest to your instrument.

### 5. INSTRUMENT INSTALLATION

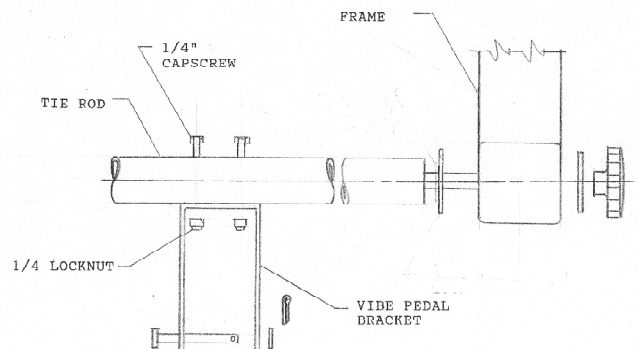
Install the instrument to the frame. Install the two round head screws on the low end. See drawing.

### 6. TONGUE

If you ordered your frame with the optional tongue, install the tongue using the two hitch pins.

### 7. VIBE PEDAL

If you ordered your frame for vibes, install the lower tie rod and vibe pedal bracket. See drawing below.



**Ji-JARVIS**  
Marching Band Products  
1-800-548-4239

**NOTE : FOR EXTRA SECURITY - Additional screws may be installed in the sides of the rests.**